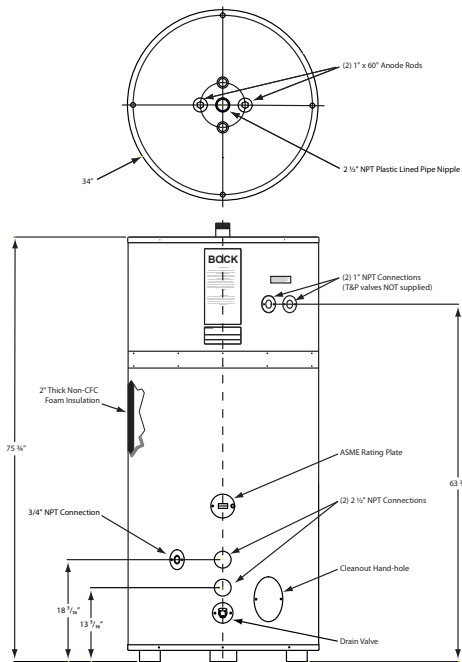




ASME Storage Tanks

Vertical Jacketed ASME Certified Storage Tanks



- ◆ 119 gallon and 200 gallon capacities
- ◆ 125 psi and 150 psi models
- ◆ Glass-lined steel tank with 5-year warranty
- ◆ Twin 1" magnesium anode rods
- ◆ Two 1" NPT connections for one or more T&P valves (valves not included)
- ◆ Factory installed brass drain valve
- ◆ Powder coated steel jacket
- ◆ Cleanout hand hole
- ◆ 2" non-CFC foam insulation



Model	Storage (gal)	Working Pressure	Overall Diameter	T&P Relief Valve Conn.	Inlet/Return Conn.	Hot Outlet Conn.	Aquastat Conn.	Overall Height/Length	Shipping Weight (lbs)
119ST-A-150	119	150	28"	1 x 1" NPT	2"	2"	3/4"	65 1/2"	385
200ST-A-125	200	125	34"	2 x 1" NPT	2 1/2"	2 1/2"	3/4"	79 1/2"	872
200ST-A-150	200	150	34"	2 x 1" NPT	2 1/2"	2 1/2"	3/4"	79 1/2"	872

Warning: Installation should be in accordance with all national and/or local codes. In the absence of local codes, refer to NFPA 54 or ANSI Z.21.10.1.

Caution: The recommended maximum hot water temperature setting for normal residential use is 120°F. Bock recommends a tempering valve or anti-scald valve be installed and used according to the manufacturer's directions to prevent scalding.

Pressures: 119ST-A-150 - Working Pressure, 150 psi; Testing Pressure, 300 psi
 200ST-A-125 - Working Pressure, 125 psi; Testing Pressure, 300 psi
 200ST-A-150 - Working Pressure, 150 psi; Testing Pressure, 300 psi



www.bockwaterheaters.com
 110 South Dickinson Street, Madison, Wisconsin 53703
 Toll Free 800-794-2491 • Phone 608-257-2225 • Fax 608-257-5304

