



Power Gas

Commercial Water Heaters Featuring...



Turboflue[®]

heat exchanger

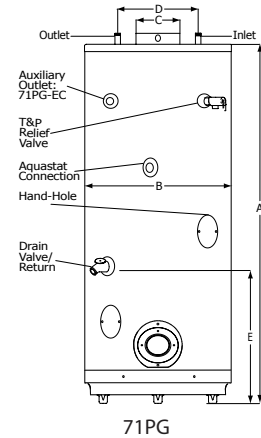
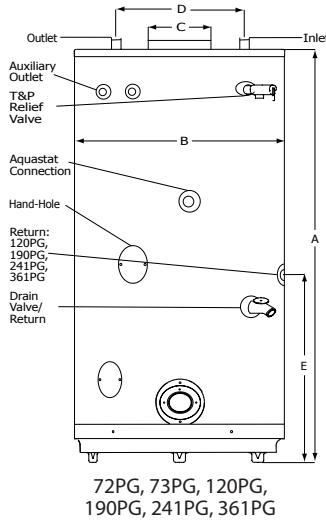
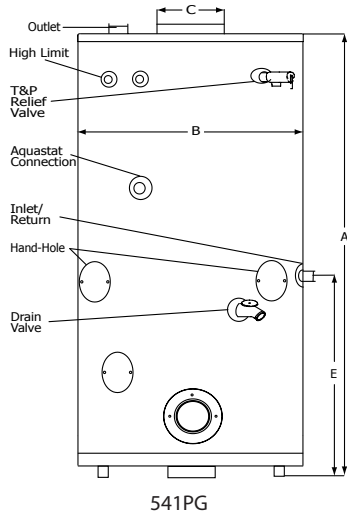
- ◆ Energy-Saving Turbofins conduct more heat into water
- ◆ Robust single-flue design yields a stronger, more durable tank
- ◆ 68 to 113 gallon capacities
- ◆ 155,000 to 623,000 BTU/HR
- ◆ *C&glass*[®] cobalt-enriched glass-lined tank
- ◆ Dual magnesium anode rods to inhibit corrosion
- ◆ Standard & ASME construction
- ◆ Barometric draft control furnished with all models
- ◆ Propane gas available on request
- ◆ Power gas burner with spark ignition, 100% safety shut-off.
- ◆ 80% thermal efficiency
- ◆ **5-year limited warranty**

All-American Product



Power Gas

This product is available from:



Model	Storage GAL (L)	Rated Input BTU/HR (kW)	Recovery @ Δ 90°F (32° C) GAL/HR (L/HR)	Dimensions in Inches (cm)									Shipping Weight LBS (kg) ***	
				Max. Temp Setting °F (°C)	Inlet Pipe Dia.	Outlet Pipe Dia.	Return Pipe Dia.	A	B	C	D	E	Standard	ASME
71PG	68 (257)	173,000 (50.70)	170 (644)	160** (71.1)	1.00 (2.5)	1.50* (3.8)	1.50* (3.8)	66.00 (167.6)	26.00 (66.0)	6.00 (15.2)	13.50 (34.3)	22.00 (55.9)	355 (161.0)	N/A
72PG	67 (254)	199,000 (58.32)	204 (772)	160** (71.1)	1.00 (2.5)	1.50* (3.8)	1.50* (3.8)	58.00 (147.3)	28.00 (71.1)	8.00 (20.3)	16.00 (40.6)	N/A	520 (235.9)	N/A
73PG	67 (257)	242,000 (70.92)	247 (935)	180 (82.2)	1.00 (2.5)	1.50* (3.8)	1.50* (3.8)	58.00 (147.3)	28.00 (71.1)	8.00 (20.3)	16.00 (40.6)	N/A	520 (235.9)	N/A
120PG	113 (428)	155,000 (45.43)	160 (606)	180 (82.2)	1.00 (2.5)	2.00 (5.1)	2.00 (5.1)	67.00 (170.2)	31.50 (80.0)	6.00 (15.2)	19.00 (48.3)	22.00 (55.9)	660 (299.4)	N/A
190PG	113 (428)	190,000 (55.68)	191 (723)	180 (82.2)	1.00 (2.5)	2.00 (5.1)	2.00 (5.1)	67.00 (170.2)	31.50 (80.0)	6.00 (15.2)	19.00 (48.3)	22.00 (55.9)	660 (299.4)	N/A
241PG	109 (413)	277,000 (81.18)	283 (1071)	180 (82.2)	1.00 (2.5)	2.00 (5.1)	2.00 (5.1)	67.00 (170.2)	31.50 (80.0)	8.00 (20.3)	19.00 (48.3)	22.00 (55.9)	890 (403.7)	930 (421.8)
361PG	91 (344)	385,000 (112.83)	435 (1647)	180 (82.2)	1.00 (2.5)	2.00 (5.1)	2.00 (5.1)	67.00 (170.2)	31.50 (80.0)	9.00 (22.9)	23.00 (58.4)	26.00 (66.0)	1065 (483.1)	1085 (492.1)
541PG	83 (314)	623,000 (182.58)	627 (2373)	180 (82.2)	2.00 (5.1)	2.00 (5.1)	2.00 (5.1)	66.00 (167.6)	34.00 (86.4)	10.00 (25.4)	22.00 (55.9)	30.50 (77.5)	1290 (585.1)	1310 (594.2)

No field conversion kits available.

Maximum inlet gas pressure for natural gas: 10" w.c.; propane: 13" w.c. Minimum inlet gas pressure for natural gas: 4.5" w.c.; propane: 11" w.c. Burner protrudes 12" - 14" from tank depending on make and model. Contact Bock for burner detail dimensions.

*Nipple not included

**Optional setting, contact factory

***Weight does not include burner and controls

T&P valve and brass drain valve factory installed

Standard Voltage (all): 120V, 60 Hz, 1P

Working Pressure: 150 psi (1034 kPa)

Test Pressure: 300 psi (2068 kPa)

All Bock products meet or exceed current ASHRAE standards.

Warning: Do not install on combustible flooring. Installation should be in accordance with all national and/or local codes. In the absence of local codes, refer to NFPA 54 or ANSI Z.21.10.1.

Caution: The recommended maximum hot water temperature setting for normal residential use is 120°F. Bock recommends a tempering valve or anti-scald valve be installed and used according to the manufacturer's directions to prevent scalding.



(on selected models)



www.bockwaterheaters.com
110 South Dickinson Street, Madison, Wisconsin 53703
Toll Free 800-794-2491 • Phone 608-257-2225 • Fax 608-257-5304

