



# Oil-Fired

## Residential Water Heaters

### Featuring...



### **Turboflue**<sup>®</sup>

heat exchanger

- ◆ Energy-Saving Turbofins conduct more heat into water
- ◆ Robust single-flue design yields a stronger, more durable tank

- ◆ 20 to 113 gallon capacities
- ◆ 60,000 to 155,000 BTU/H
- ◆ *C<sub>2</sub>glass*<sup>®</sup> Cobalt-enriched glass-lined tank
- ◆ Dual magnesium anode rods to inhibit corrosion

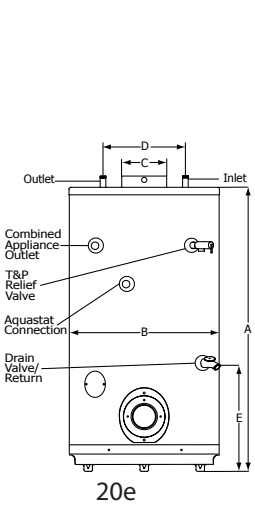
The popular Bock<sup>®</sup> 32E *leads* the industry in Energy Efficiency with a *.63 EF rating* and *170 gallons* first hour delivery.

***5-Year limited warranty on residential installations***  
***3-Year limited warranty on commercial installations***

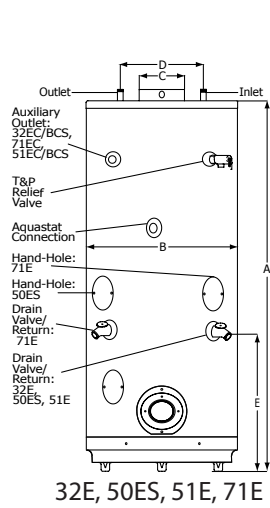


# Oil-Fired

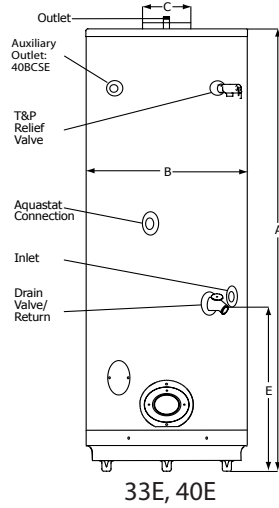
This product is available from:



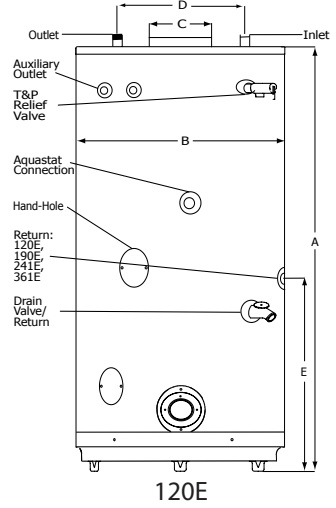
20e



32E, 50ES, 51E, 71E



33E, 40E



120E

Model	Storage GAL (L)	Rated Input BTU/HR (kW)	Recovery @ Δ 90°F (32° C) GAL/HR (L/HR)	Dimensions in Inches (cm)										Shipping Weight LBS (kg) ***	
				Max. Temp Setting °F (°C)	Inlet Pipe Dia.	Outlet Pipe Dia.	Return Pipe Dia.	A	B	C	D	E	Standard	ASME	
20e	20 (75.7)	60,000 (17.58)	66 (249.8)	160 (71.1)	.75 (1.9)	.75 (1.9)	.75 (1.9)	.75 (1.9)	38.25 (97.2)	20.00 (50.8)	6.00 (15.2)	11.00 (27.9)	14.75 (37.5)	200 (90.7)	N/A
32E	32 (121)	104,000 (30.48)	114 (431.5)	160 (71.1)	.75 (1.9)	.75 (1.9)	.75 (1.9)	.75 (1.9)	51.00 (129.5)	20.00 (50.8)	6.00 (15.2)	11.00 (27.9)	17.00 (43.2)	225 (102.1)	N/A
33E	33 (125)	104,000 (30.48)	111 (420.2)	160 (71.1)	.75 (1.9)	.75 (1.9)	.75 (1.9)	.75 (1.9)	43.25 (109.9)	24.00 (60.9)	6.00 (15.2)	N/A	17.25 (43.8)	235 (106.6)	N/A
40E	40 (151)	126,000 (36.93)	136 (514.8)	160 (71.1)	.75 (1.9)	.75 (1.9)	1.00 (2.5)	1.00 (2.5)	61.00 (154.9)	20.00 (50.8)	6.00 (15.2)	N/A	18.00 (45.7)	260 (117.9)	N/A
50ES	50 (189)	140,000 (41.03)	151 (571.6)	160** (71.1)	1.00 (2.5)	1.50 (3.8)	1.50 (3.8)	1.50 (3.8)	52.00 (132.1)	26.00 (66.0)	6.00 (15.2)	13.50 (34.3)	18.50 (47.0)	305 (138.3)	N/A
51E	50 (189)	152,000 (44.55)	161 (609.5)	160** (71.1)	1.00 (2.5)	1.00 (2.5)	.75 (1.9)	.75 (1.9)	59.00 (149.9)	24.00 (60.9)	6.00 (15.2)	11.00 (27.9)	18.00 (45.7)	305 (138.3)	N/A
71E	68 (257)	173,000 (50.70)	177 (670.0)	160** (71.1)	1.00 (2.5)	1.50 (3.8)	1.50 (3.8)	1.50 (3.8)	66.00 (167.6)	26.00 (66.0)	6.00 (15.2)	13.50 (34.3)	22.00 (55.9)	355 (161.0)	N/A
120E	113 (428)	155,000 (45.43)	163 (617.0)	180 (82.2)	1.00 (2.5)	2.00 (5.1)	2.00 (5.1)	2.00 (5.1)	67.00 (170.2)	31.50 (80.0)	6.00 (15.2)	19.00 (48.3)	22.00 (55.9)	660 (299.4)	N/A

NOTE: 32E First Hour Rating = 170 Gallons

- \*Nipple not included
- \*\*Optional setting, contact factory
- \*\*\*Weight does not include burner and controls

T&P valve and brass drain valve factory installed  
 Standard Voltage (all): 120V, 60 Hz, 1P  
 Working Pressure: 150 psi (1034 kPa); Test Pressure: 300 psi (2068 kPa)  
 All Bock products meet or exceed current ASHRAE standards.

**Warning:** Do not install on combustible flooring. Installation should be in accordance with all national and/or local codes. In the absence of local codes, refer to NFPA 31 or ANSI Z.21.10.1.

**Caution:** The recommended maximum hot water temperature setting for normal residential use is 120°F. Bock recommends a tempering valve or anti-scald valve be installed and used according to the manufacturer's directions to prevent scalding.



[www.bockwaterheaters.com](http://www.bockwaterheaters.com)  
 110 South Dickinson Street, Madison, Wisconsin 53703  
 Toll Free 800-794-2491 • Phone 608-257-2225 • Fax 608-257-5304

