

# **Storage Tanks**

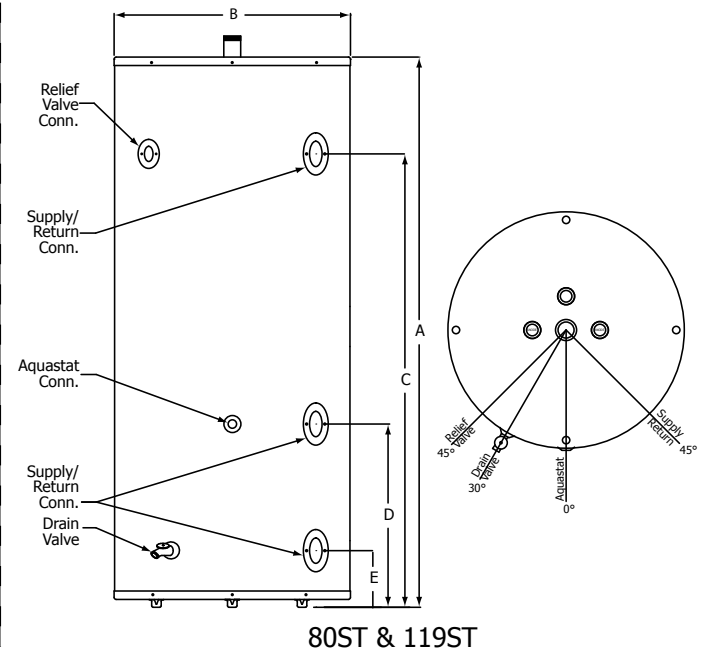
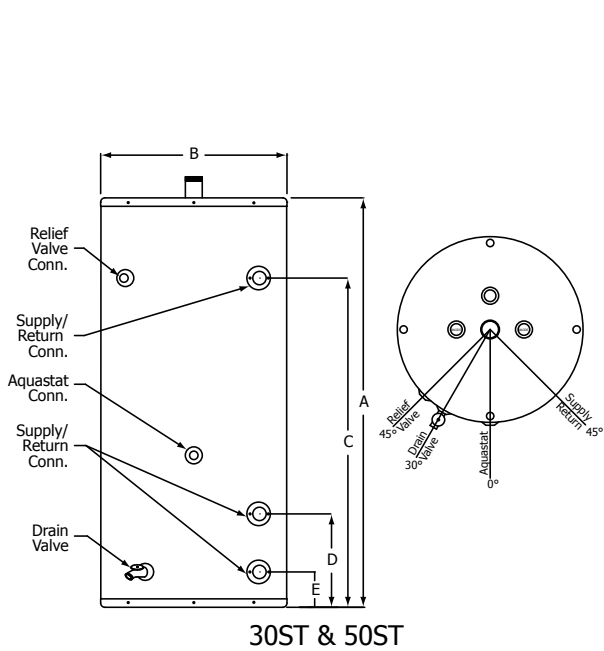
## ***Non-ASME Storage Tanks***



- ◆ *C<sup>o</sup>glass*<sup>®</sup> cobalt-enriched porcelain enamel glass lined tank
- ◆ 2" Non-CFC Foam Insulation
- ◆ Steel Exterior with Powder Coat Finish
- ◆ Factory Installed Brass Drain Valve
- ◆ Four 2" or 2.5" NPT Connections One Top Outlet & Three Side Supply/Return
- ◆ 5-Year Non-Prorated Limited Warranty



This product is available from:



Model	Storage (gal)	T&P Relief Valve Conn.	Supply/Return Conn.	Outlet Conn.	Aquastat Conn.	Dimensions in Inches					Shipping Weight (lbs)
						A	B	C	D	E	
30ST	30	.75	2.00	2.00	.75	39.5	20.00	30.00	11.06	4.18	150
50ST	50	.75	2.00	2.00	.75	48.50	22.00	39.00	11.06	4.18	190
80ST	80	1.00	2.00	2.00	.75	60.50	24.00	50.00	21.00	6.00	250
119ST-2"	119	1.00	2.00	2.00	.75	65.50	28.00	54.00	22.00	7.00	385
119ST-2 1/2"	119	1.00	2.50	2..50	.75	65.50	28.0	54.00	22.00	7.00	385

**Warning:** Installation should be in accordance with all national and/or local codes. In the absence of local codes, refer to NFPA 54 or ANSI Z.21.10.1.

**Caution:** The recommended maximum hot water temperature setting for normal residential use is 120° F. Bock recommends a tempering valve or anti-scald valve be installed and used according to the manufacturer's directions to prevent scalding.

**Pressures (all):** Working Pressure, 150 psi; Testing Pressure, 300 psi



[www.bockwaterheaters.com](http://www.bockwaterheaters.com)  
 110 South Dickinson Street, Madison, Wisconsin 53703  
 Toll Free 800-794-2491 • Phone 608-257-2225 • Fax 608-257-5304

